

Product Summary

V_{RRM}	650 V
$I_F (T_C=160^\circ\text{C})$	8 A
Q_C	24 nC

Features

- Low leakage current (I_R)
- Zero reverse recovery current
- Temperature independent switching behavior
- Positive temperature coefficient on V_F
- High surge current capacity
- Low capacitive charge

Benefits

- System cost savings due to smaller magnetics
- System efficiency improvement over Si diodes
- Reduction of heat sink requirements
- Enabling higher frequency
- Reduced EMI

Applications

- Switch mode power supplies (SMPS)
- Uninterruptible power supplies
- Server/telecom power supplies
- Power factor correction
- Solar

Package Pin Definitions

- Pin1 and backside - Cathode
- Pin2 - Anode

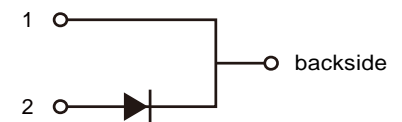
Package Parameters

Part Number	Marking	Package
B2D08065K1	B2D08065K1	TO-220-2

Packing Quantities

Tube Packing	PCS/Tube	Tube/Box	PCS/Box
TO-220-2	50	10	500

Package: TO-220-2

Electrical Connection


Maximum Ratings ($T_c=25^\circ\text{C}$ unless otherwise specified)

Symbol	Parameter	Test conditions	Value	Unit
V_{RRM}	Repetitive peak reverse voltage		650	V
V_{RSM}	Non-repetitive peak reverse voltage		650	V
I_F	Continuous forward current	$T_c=25^\circ\text{C}$	32	A
		$T_c=135^\circ\text{C}$	15	
		$T_c=160^\circ\text{C}$	8	
I_{FSM}	Non-repetitive forward surge current	$T_c=25^\circ\text{C}$, $t_p=10\text{ms}$ Half sine wave	64	A
$\int i^2 dt$	i^2t value	$T_c=25^\circ\text{C}$, $t_p=10\text{ms}$	20	A^2S
P_{tot}	Power dissipation	$T_c=25^\circ\text{C}$	148	W
		$T_c=110^\circ\text{C}$	64	
T_j	Operating junction temperature		-55~175	$^\circ\text{C}$
T_{slg}	Storage temperature		-55~175	$^\circ\text{C}$

Thermal Characteristics

Symbol	Parameter	Value			Unit
		Min.	Typ.	Max.	
$R_{th(jc)}$	Thermal resistance from junction to case		1.01		K/W

Electrical Characteristics
Static Characteristics

Symbol	Parameter	Test conditions	Value			Unit
			Min.	Typ.	Max.	
V_{DC}	DC blocking voltage	$T_j=25^{\circ}\text{C}$	650			V
V_F	Diode forward voltage	$I_F=8\text{A } T_j=25^{\circ}\text{C}$ $I_F=8\text{A } T_j=175^{\circ}\text{C}$		1.32 1.69	1.5 2.09	V
I_R	Reverse current	$V_R=650\text{V } T_j=25^{\circ}\text{C}$ $V_R=650\text{V } T_j=175^{\circ}\text{C}$		1 11	100 110	μA

AC Characteristics

Symbol	Parameter	Test conditions	Value			Unit
			Min.	Typ.	Max.	
Q_C	Total capacitive charge	$V_R=400\text{V } T_j=25^{\circ}\text{C}$ $Q_C=\int_0^{V_R} C(V)dV$		24		nC
C	Total capacitance	$V_R=1\text{V } f=1\text{MHz}$ $V_R=300\text{V } f=1\text{MHz}$ $V_R=600\text{V } f=1\text{MHz}$		367 40 39		pF
E_C	Capacitance stored energy	$V_R=400\text{V}$		6		μJ

Typical Performance

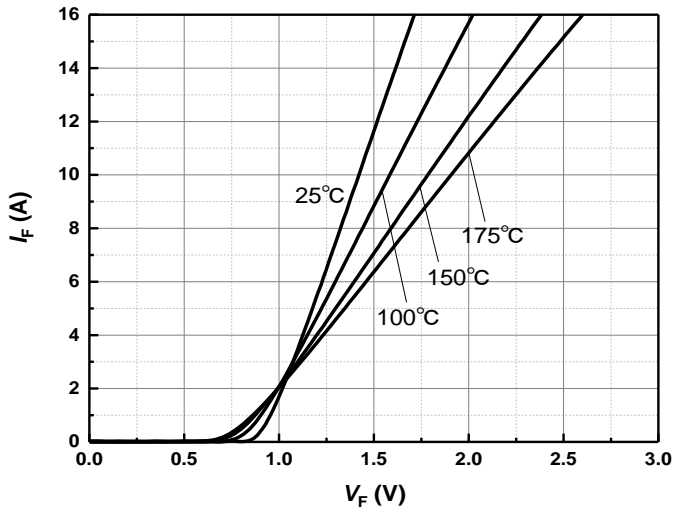


Figure 1 Typical forward characteristics

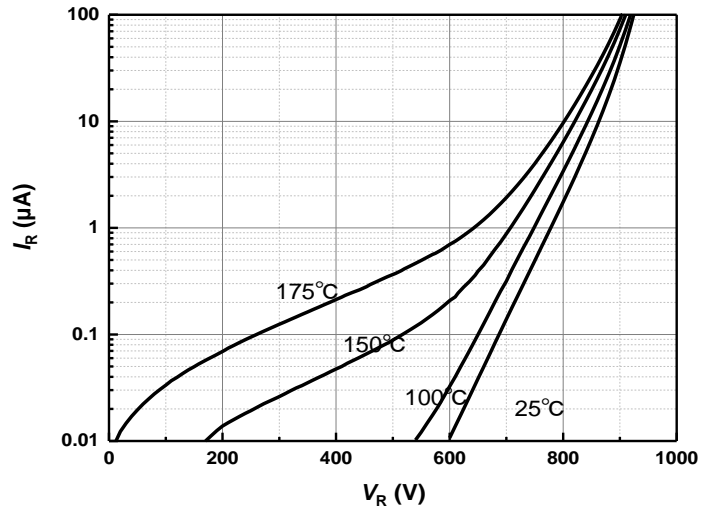


Figure 2 Typical reverse current as function of reverse voltage

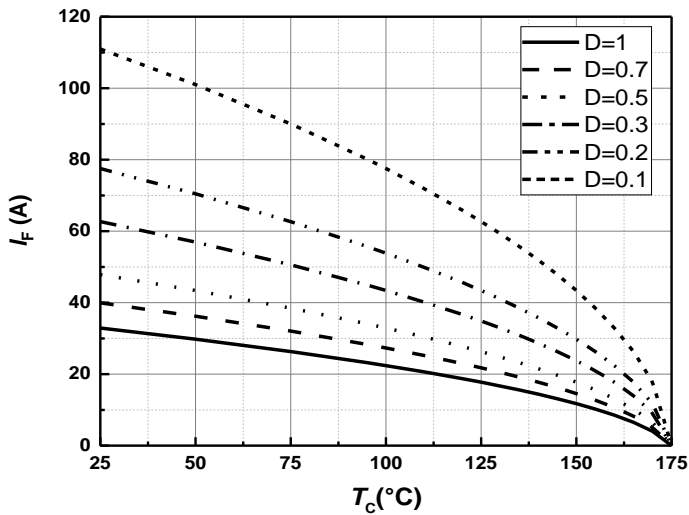


Figure 3 Diode forward current as function of temperature, D=duty cycle

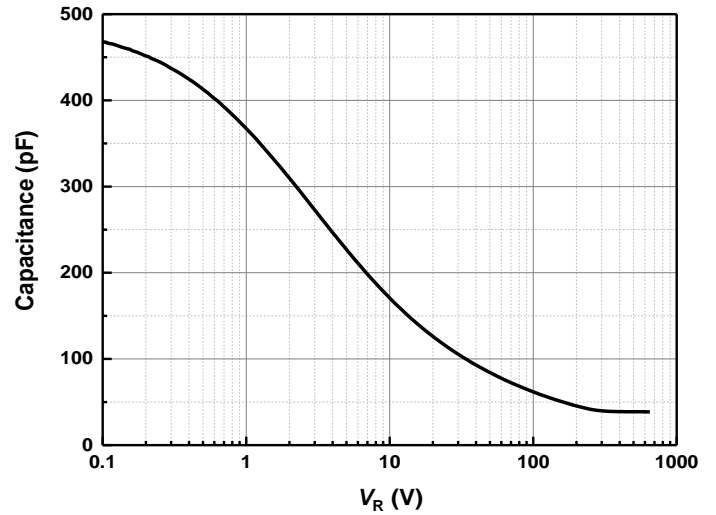


Figure 4 Typical capacitance as function of reverse voltage, $C=f(V_R)$; $T_j=25^{\circ}$ C; $f=1$ MHz

Typical Performance

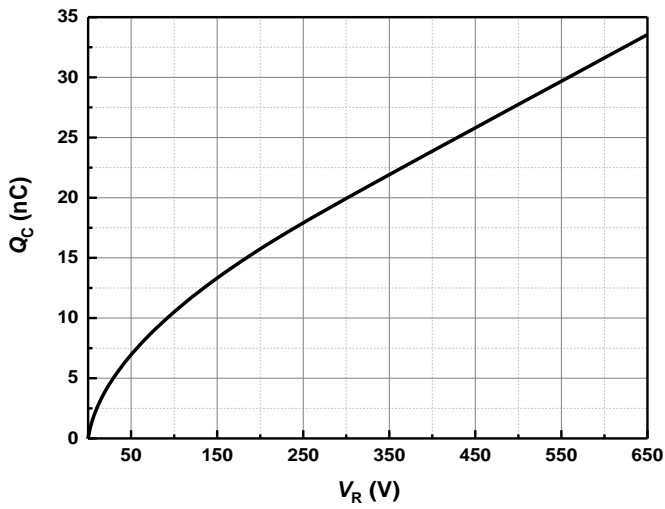


Figure 5 Typical reverse charge as function of reverse voltage

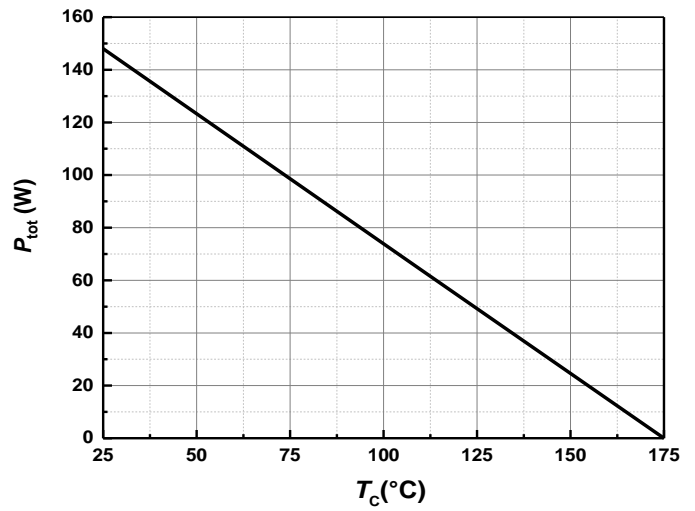


Figure 6 Power dissipation as function of case temperature

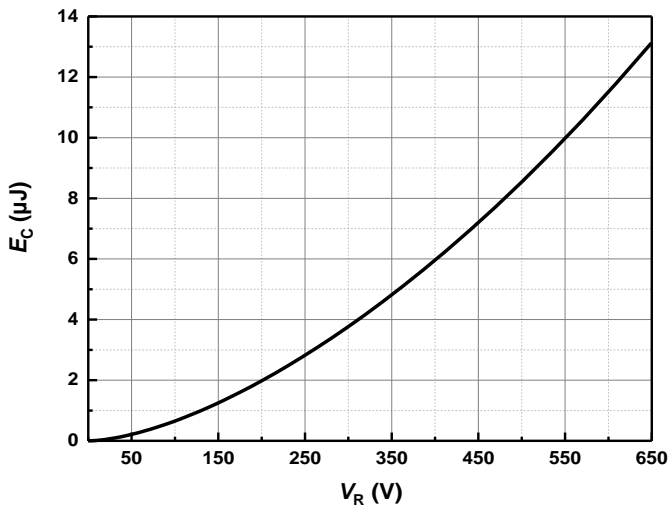


Figure 7 Capacitance stored energy

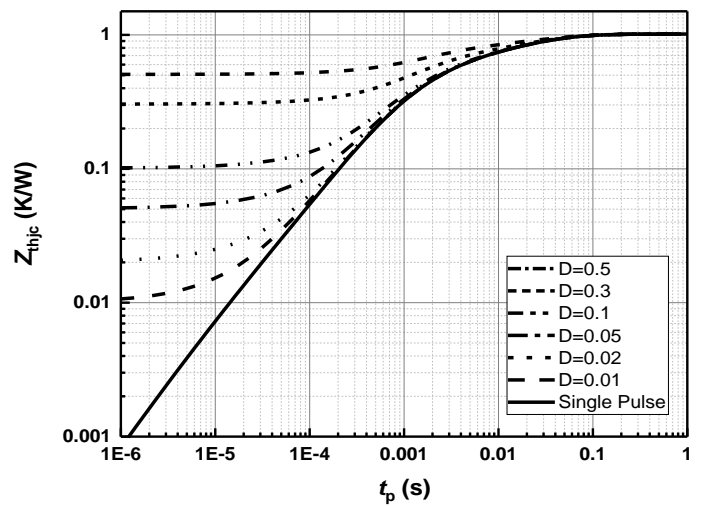
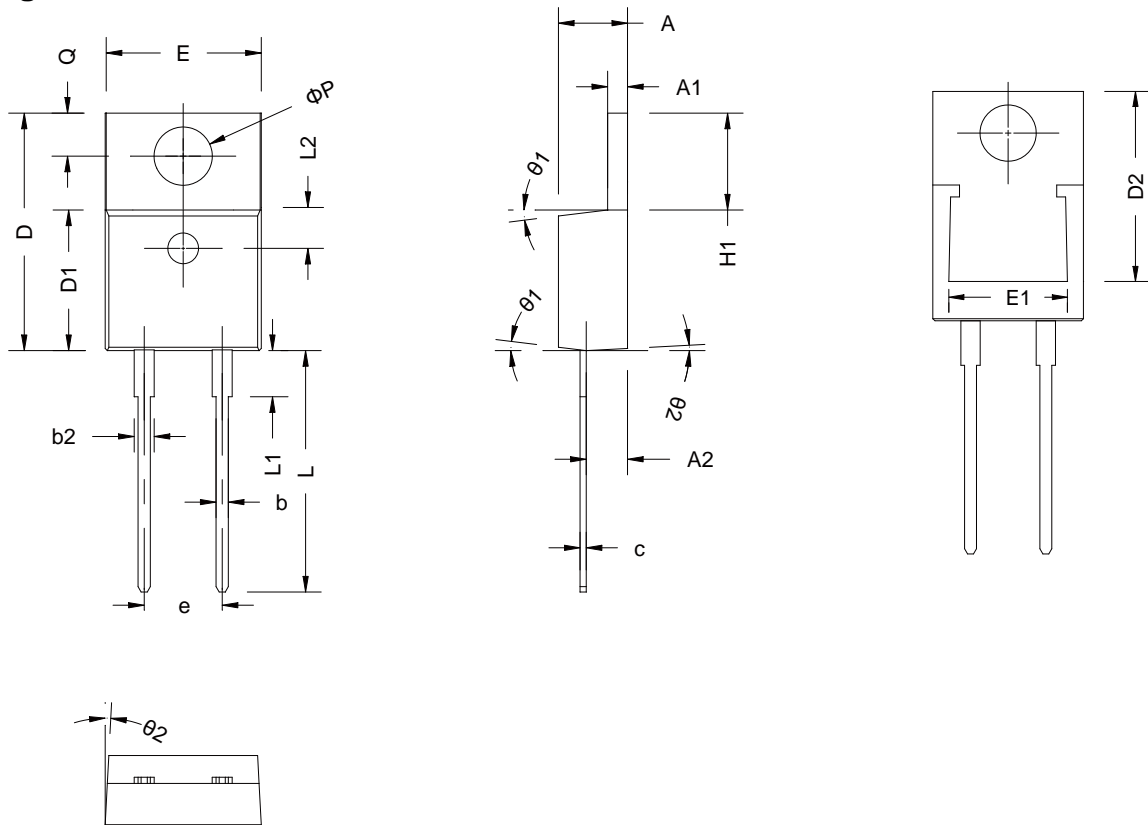
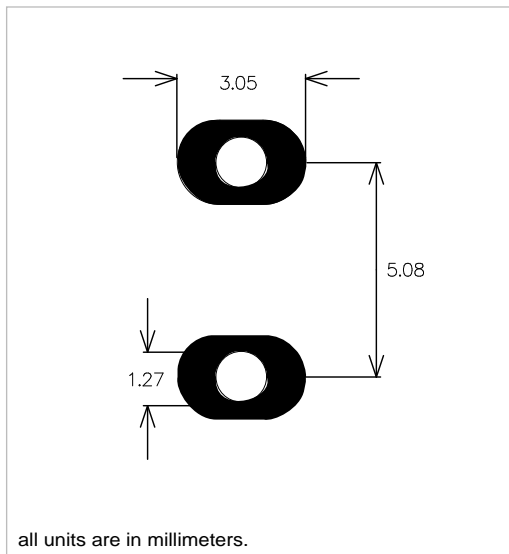


Figure 8 Max. transient thermal impedance, $Z_{thjc} = f(t)$, parameter: $D = t / T$

Package Dimensions

Recommended Solder Pad Layout


SYMBOL	mm		
	MIN	NOM	MAX
A	4.37	4.57	4.77
A1	1.22	-	1.40
A2	2.49	2.69	2.89
b	0.75	-	0.96
b2	1.22	-	1.47
c	0.30	-	0.48
D	15.15	15.45	15.75
D1	9.05	9.15	9.25
D2	11.40	-	12.88
E	9.86	10.16	10.36
E1	6.86	-	8.89
e	4.98	5.08	5.18
H1	6.10	6.30	6.50
L	12.70	-	13.70
L1	-	-	4.10
L2	2.50 REF		
φ P	3.70	3.84	3.99
Q	2.54	-	2.94
θ1	5°	7°	9°
θ2	1°	3°	5°

Revision History

Document Version	Date of Release	Description of Changes
Rev. 0.0	2023-03-27	Release of the datasheet.

BASiC Semiconductor Ltd.
Shenzhen, China
© 2023 BASiC Semiconductor Ltd.
All Rights Reserved.

Information

For further information on technology, delivery terms and conditions and prices, please contact the nearest BASiC Semiconductor Office

Disclaimer

The information given in this document shall in no event be regarded as a guarantee of conditions or characteristics. With respect to any examples or hints given herein, any typical values stated herein and/or any information regarding the application of the device, BASiC semiconductor Ltd. hereby disclaims any and all warranties and liabilities of any kind, including without limitation, warranties of non-infringement of intellectual property rights of any third party.