

F04 Series 4A TRIACs

FEATURES

- Glass Passivated Junctions
- High voltage and surge capability
- Low Thermal Resistance and Durability
- Triggering in all four quadrants

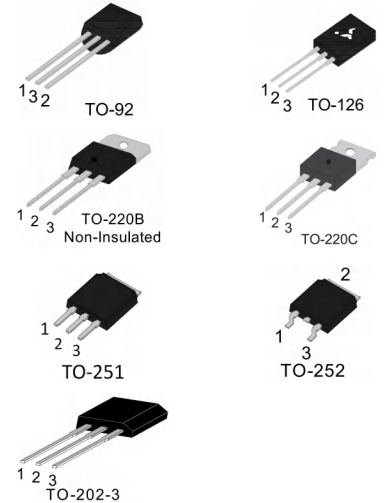
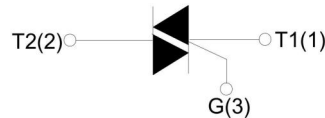
APPLICATIONS

- Static relays
- Heating regulation
- In-duction motor starting circuits
- Phase control operation in light dimmers
- Motor speed controllers



Parameters Summary

VD/VR:600/800V IT(RMS):4A IGT:3mAto10mA



ABSOLUTE MAXIMUM RATINGS

Parameter	Symbol	Value	Unit	
Storage junction temperature range	T _{stg}	-40 ~150	°C	
Operating junction temperature range	T _j	-40~125	°C	
Repetitive peak off-state voltage (T =25°C)	V _{DRM}	600/800	V	
Repetitive peak reverse voltage (T =25°C)	V _{RRM}	600/800	V	
Non repetitive surge peak Off-state voltage	V _{DSM}	V _{DRM} +100	V	
Non repetitive peak reverse voltage	V _{RSM}	V _{RRM} +100	V	
RMS on-state current	I _{T(RMS)}	TO-251/TO-252 (TC=110°C)	4	A
		TO-220B/TO-220C(TC=103°C)		
		TO-126(TC=100°C)		
		TO-92(TC=70°C)		
		TO-202-3(TC=80°C)		
Non repetitive surge peak on-state current (180° conduction angle, F=50Hz)	I _{TSM}	30	A	
I ² t value for fusing (tp=10ms)	I ² t	3. 1	A ² S	
Critical rate of rise of on-state current (I =2×IGT, tr ≤ 100 ns)	I-II-III	50	A/μS	
	IV	10		
Peak gate current	I _{GM}	2	A	
Average gate power dissipation	P _{G(AV)}	0. 5	W	

Thermal Resistances

Symbol	Parameter	Value	Unit
Rth(j-c)	Junction to case (AC)	TO-251/TO-252	°C/W
		TO-220B/TO-220C	
		TO-202-3	
		TO-126	
		TO-92	

ELECTRICAL CHARACTERISTICS (T=25°C unless otherwise specified)							
Symbol	Test Condition	Quadrant		Value			Unit
				03	05	10	
I_{GT}	$V_D=12V$	I-II-III	MAX	3	5	10	mA
		IV		5	10	25	
V_{GT}		ALL	MAX	1.3			V
V_{GD}	$V_D=V_{DRM}$ $T_j=125^\circ C$	ALL	MIN	0.2			V
I_L	$I_G=1.2I_{GT}$	I-III-IV	MAX	8	10	20	mA
		II		12	15	35	
I_H	$I_T=100mA$		MAX	5	10	20	mA
dV/dt	$V_D=2/3V_{DRM}$ Gate Open $T_j=125^\circ C$		MIN	20	50	100	V/ μs

STATIC CHARACTERISTICS				
Symbol	Parameter		Value(MAX.)	Unit
V_{TM}	$I_{TM}=5.5A$ $t_p=380\mu s$	$T_j=25^\circ C$	1.65	V
I_{DRM}	$V_D=V_{DRM}$ $V_R=V_{RRM}$	$T_j=25^\circ C$	5	μA
I_{RRM}		$T_j=125^\circ C$	1	mA

Ordering Information Scheme

F 04 05 - 8 U

F:4Q

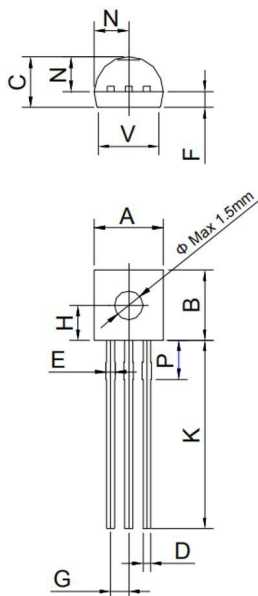
IT(RMS):4A

03: $I_{GT} \leq 3mA$
 05: $I_{GT} \leq 5mA$
 10: $I_{GT} \leq 10mA$

B:TO-220B C:TO-220C
 H:TO-251 D:TO-252
 Q:TO-126 G:TO-202-3
 U:TO-92

6: $V_D/V_R \geq 600V$
 8: $V_D/V_R \geq 800V$

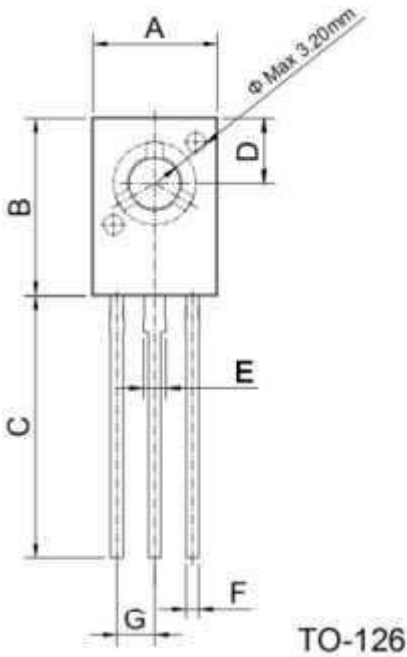
TO-92 Package Mechanical Data



TO-92

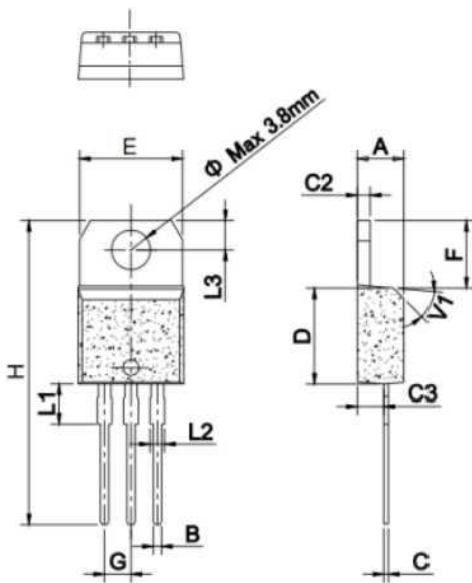
Ref.	Dimensions					
	Millimeters			Inches		
	Min.	Typ.	Max.	Min.	Typ.	Max.
A	4.45		5.20	0.175		0.205
B	4.32		5.33	0.170		0.210
C	3.18		4.19	0.125		0.165
D	0.254		0.506	0.016		0.021
E	0.30		0.70	0.024		0.031
F	.	1.30	.	.	0.051	-
G	.	1.27	.	.	0.050	-
H	.	2.30	.	.	0.091	-
J	0.30		0.50	0.011		0.020
K	12.70		15.0	0.500		0.591
N	2.04		2.66	0.080		0.105
P	1.86		2.06	0.073		0.081
V	.		4.50	.		0.169

TO-126 Package Mechanical Data



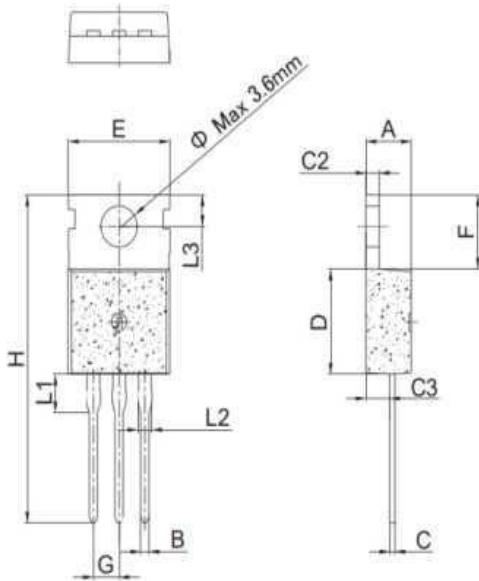
Ref.	Dimensions					
	Millimeters			Inches		
	Min.	Typ.	Max.	Min.	Typ.	Max.
A	7.40		7.80	0.291		0.307
B	10.6		11.2	0.417		0.441
C	15.3		16.3	0.602		0.642
D	3.90		4.10	0.154		0.161
E	1.17		1.47	0.046		0.058
F	0.66		0.86	0.026		0.034
G		2.29			0.090	
H	2.50		2.90	0.098		0.114
J	1.10		1.50	0.043		0.059
K	0.45		0.60	0.018		0.024

TO-220B Package Mechanical Data



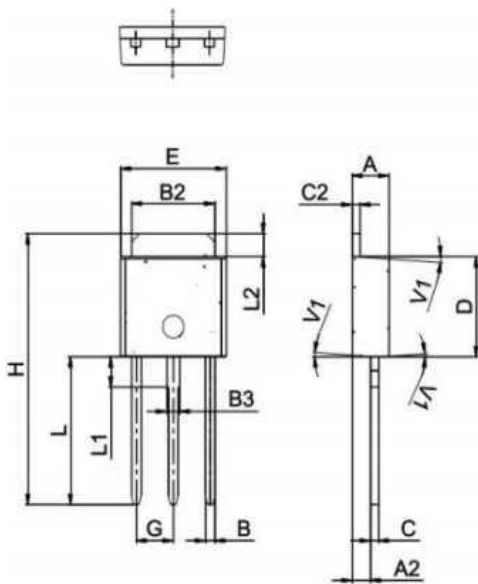
Ref.	Dimensions					
	Millimeters			Inches		
	Min.	Typ.	Max.	Min.	Typ.	Max.
A	4.10		4.30	0.173		0.181
B	0.61		0.88	0.024		0.035
C	0.46		0.70	0.018		0.028
C2	1.21		1.32	0.048		0.052
C3	2.40		2.72	0.094		0.107
D	8.60		9.70	0.339		0.382
E	9.60		10.4	0.378		0.409
F	6.25		7.05	0.244		0.260
G		2.54			0.1	
H	28.0		29.8	1.102		1.173
L1					0.148	
L2	1.14		1.70	0.045		0.067
L3	2.65		2.95	0.104		0.116
V1		45			45	

TO-220C Package Mechanical Data



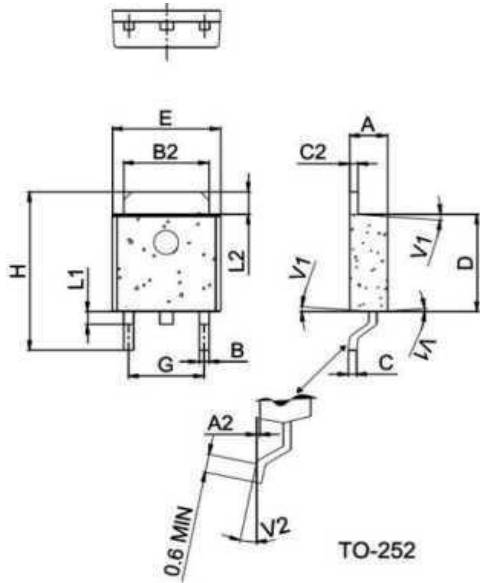
Ref.	Dimensions					
	Millimeters			Inches		
	Min.	Typ.	Max.	Min.	Typ.	Max.
A	4.40		4.60	0.173		0.181
B	0.70		0.90	0.028		0.035
C	0.45		0.60	0.018		0.024
C2	1.30		1.48	0.048		0.052
C3	2.20		2.60	0.087		0.102
D	8.90		9.90	0.350		0.390
E	9.90		10.3	0.390		0.406
F	6.30		6.90	0.248		0.272
G		2.54			0.1	
H	28.0		29.8	1.102		1.173
L1		3.39			0.133	
L2	1.14		1.70	0.045		0.067
L3	2.65		2.95	0.104		0.116
e		3.6			0.142	

TO-251 Package Mechanical Data



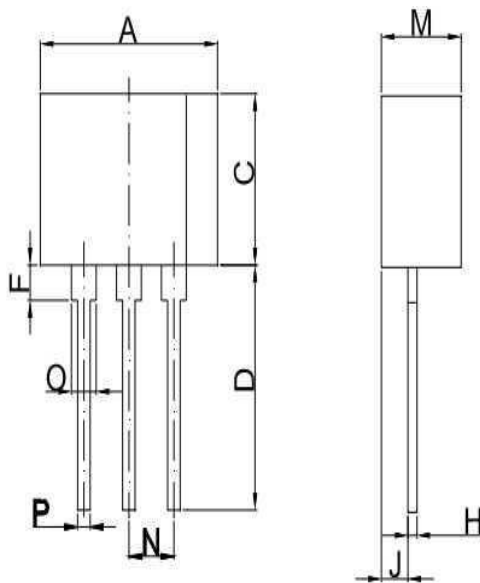
Ref.	Dimensions					
	Millimeters			Inches		
	Min.	Typ.	Max.	Min.	Typ.	Max.
A	2.20		2.40	0.086		0.095
A2	0.90		1.50	0.035		0.059
B	0.55		0.65	0.022		0.026
B2	5.10		5.40	0.200		0.213
B3	0.76		0.85	0.030		0.033
C	0.45		0.62	0.018		0.024
C2	0.66		0.94	0.025		0.037
D	6.00		6.20	0.236		0.244
E	6.40		6.70	0.252		0.264
G		2.30				
H	15.25		15.65	0.600		0.616
L	7.8		8.8	0.307		0.346
L1	1.50		1.90	0.059		0.075
L2	1.10		1.50	0.043		0.059
V1		4			4	

TO-252 Package Mechanical Data



Ref.	Dimensions					
	Millimeters			Inches		
	Min.	Typ.	Max.	Min.	Typ.	Max.
A	2.20		2.40	0.086		0.095
A2	0.03		0.23	0.001		0.009
B	0.55		0.65	0.022		0.026
B2	5.10		5.40	0.200		0.213
C	0.45		0.62	0.018		0.024
C2	0.71		0.99	0.019		0.024
D	6.00		6.20	0.236		0.244
E	6.40		6.70	0.252		0.264
G	4.40		4.70	0.173		0.185
H	9.35		10.60	0.368		0.417
L1	1.30		1.70	0.051		0.067
L2	1.37		1.50	0.054		0.059
V1		4				
V2	0		8	0		8

TO-202-3 Package Mechanical Data



Ref.	Dimensions					
	Millimeters			Inches		
	Min.	Typ.	Max.	Min.	Typ.	Max.
A	9.30		9.90	0.366		0.390
C	7.0		7.6	0.276		0.299
D	10.5		11.5	0.413		0.453
F	1.50		2.50	0.059		0.098
H	0.45		0.55	0.018		0.022
J	1.50		1.90	0.059		0.075
M	4.40	2.54	4.70	0.173	0.100	0.185
N	1.20		1.50	0.047		0.059
O	0.60		0.80	0.024		0.031
P	9.30		9.90	0.366		0.390

FIG.1 Maximum power dissipation versus on-state current

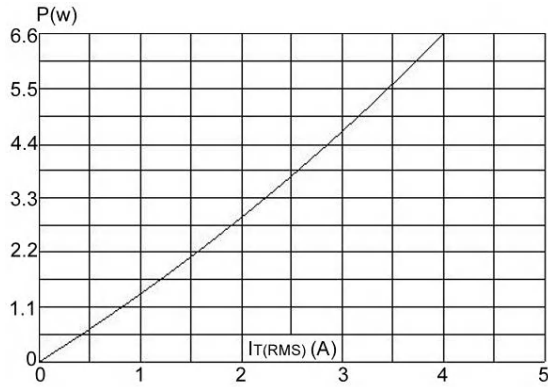


FIG.2: on-state current versus case temperature

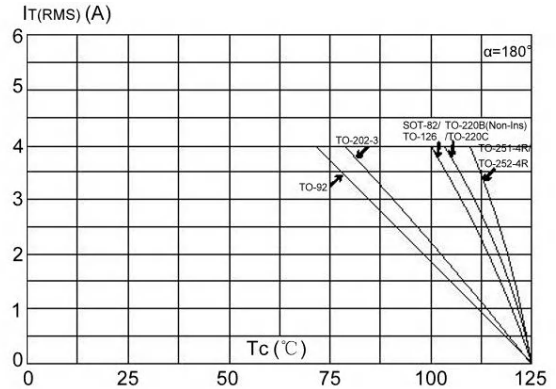


FIG.3: Surge peak on-state current versus number of cycles

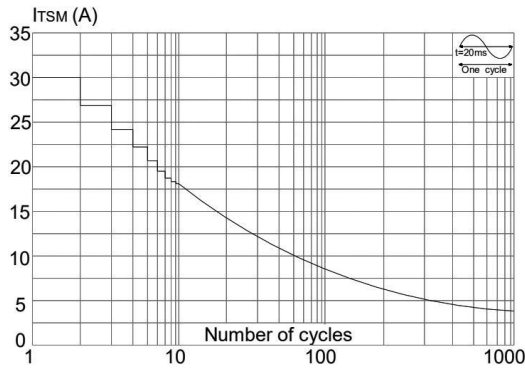


FIG.4: On-state characteristics (maximum values)

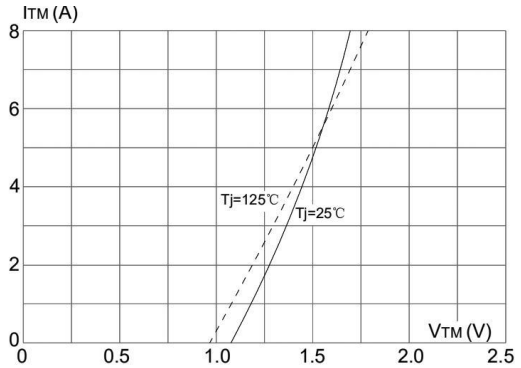


FIG.5: Non-repetitive surge peak on-state current for a sinusoidal pulse with width $t_p < 10\text{ms}$, and corresponding value of $I_2 t$ ($di/dt < 50\text{A}/\mu\text{s}$)

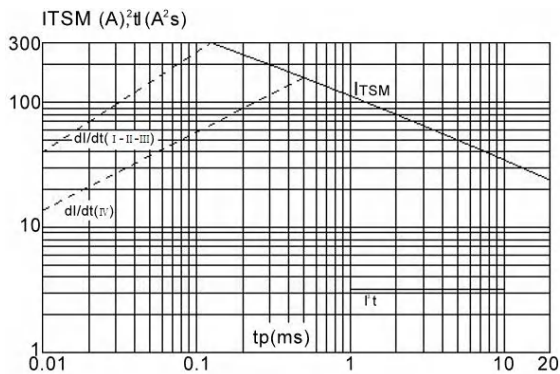
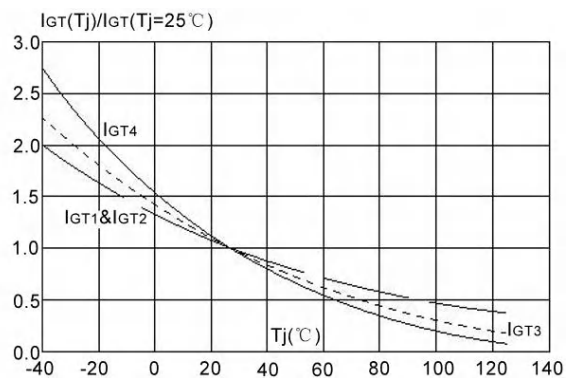


FIG.6: Relative variations of gate trigger current holding current and latching current versus junction temperature



Disclaimer

All product specifications and data are subject to change without notice.

For documents and material available from this datasheet, Jiangsu Jilai Microelectronics Co., Ltd does not warrant or assume any legal liability or responsibility for the accuracy, completeness of any product or technology disclosed hereunder.

No license, express or implied, by estoppels or otherwise, to any intellectual property rights is granted by this document or by any conduct of Jiangsu Jilai Microelectronics Co., Ltd

The products shown herein are not designed for use in medical, life-saving, or life-sustaining applications unless. Customers using or selling Jiangsu Jilai Microelectronics Co., Ltd products not expressly indicated for use in such applications do so entirely at their own risk and agree to fully indemnify Jiangsu Jilai Microelectronics Co., Ltd for any damages arising or resulting from such use or sale.

Jiangsu Jilai Microelectronics Co., Ltd disclaims any and all liability arising out of the use or application of any product described herein or of any information provided herein to the maximum extent permitted by law. The product specifications do not expand or otherwise modify Jiangsu Jilai Microelectronics Co., Ltd 's terms and conditions of purchase, including but not limited to the warranty expressed therein, which apply to these products.

Jiangsu Jilai Microelectronics Co., Ltd strives to supply high-quality high-reliability products. However, any and all semiconductor products fail with some probability. It is possible that these probabilistic failures could give rise to accidents or events that could endanger human lives that could give rise to smoke or fire, or that could cause damage to other property. When designing equipment, adopt safety measures so that these kinds of accidents or events cannot occur. Such measures include but are not limited to protective circuits and error prevention circuits for safe design, redundant design, and structural design.

In the event that any or all Jiangsu Jilai Microelectronics Co., Ltd products(including technical data, services) described or contained herein are controlled under any of applicable local export control laws and regulations, such products must not be exported without obtaining the export license from the authorities concerned in accordance with the above law.

Information (including circuit diagrams and circuit parameters) herein is for example only; it is not guaranteed for volume production. Jiangsu Jilai Microelectronics Co., Ltd believes information herein is accurate and reliable, but no guarantees are made or implied regarding its use or any infringements of intellectual property rights or other rights of third parties.